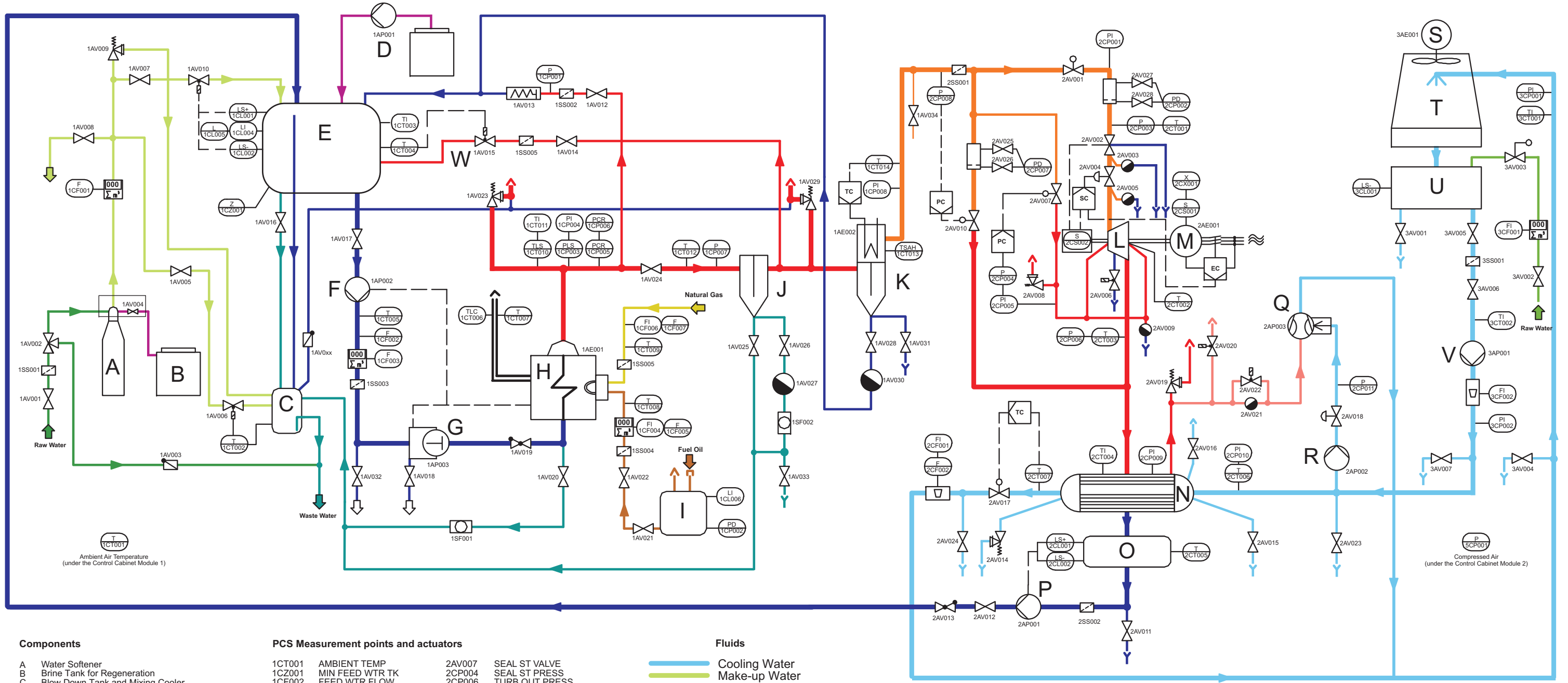


# ET 805 STEAM TURBINE PLANT

**Module 1:**  
Feedwater, Steamboiler, Superheater, Fuel Tank

**Module 2:**  
Steamturbine, Synchronous Generator, Condenser

**Module 3:**  
Cooling Tower



- Components**
- A Water Softener
  - B Brine Tank for Regeneration
  - C Blow Down Tank and Mixing Cooler
  - D Dosing Pump for Water Treatment
  - E Feed Water Tank
  - F Booster Pump
  - G Feedwater Pump
  - H Steam Boiler
  - I Fuel Oil Tank
  - J Steam Dryer
  - K Superheater
  - L Steam Turbine
  - M Synchronous Generator
  - N Condenser
  - O Condensate Tank
  - P Condensate Pump
  - Q Water Jet Vacuum Pump
  - R Booster Pump for Water Jet Pump
  - S Cooling Fan
  - T Cooling Tower
  - U Cooling Tower Sump
  - V Cooling Water Pump
  - W Feed Water Preheater

- PCS Measurement points and actuators**
- 1CT001 AMBIENT TEMP
  - 1CZ001 MIN FEED WTR TK
  - 1CF002 FEED WTR FLOW
  - 1CT005 FEED WTR TEMP
  - 1CT007 FLUE GAS TEMP
  - 1CP002 OIL FUEL TANK
  - 1CT008 OIL FUEL TEMP
  - 1CF005 OIL FUEL FLOW
  - 1CT009 GAS FUEL TEMP
  - 1CF007 GAS FUEL FLOW
  - 1CT012 BOILER ST TEMP
  - 1CP007 BOILER ST PRESS
  - 1CT014 SUPERH TEMP
  - 2AV001 TURB ST VALVE
  - 2CP002F TURB ST FLOW
  - 2CP003 TURB IN PRESS
  - 2CT001 TURB IN TEMP
  - 2AV004 TURB THR VALVE
  - 2CS001 TURB SPEED
  - 2CX001 TORQUE
  - 2CY001 MECH OUTP PWR
  - 2CT002 TURB HOUSE TEMP

- Fluids**
- 2AV007 SEAL ST VALVE
  - 2CP004 SEAL ST PRESS
  - 2CP006 TURB OUT PRESS
  - 2CT003 TURB OUT TEMP
  - 2CP007F BYPASS ST FLOW
  - 2CP008 STEAM PRESS
  - 2AV010 BYPASS VALVE
  - 2CT005 COND TEMP
  - 2AP001 COND PUMP
  - 2CF002 COOL WTR FLOW
  - 2CT006 COOL WTR IN TEMP
  - 2CT007 COOL WTR OUT TEMP
  - 2AV017 COOL WTR VALVE
  - 2AP002 VAC PUMP
  - 2AV018 VAC PMP WTR VALVE
  - 2CP011 VAC PMP WTR PRESS
  - 2AV020 ATM VALVE
  - 2AV022 VAC PMP SUC VALVE
  - 2AV022 COOLING FAN
  - 3AP001 COOL WTR PUMP
  - 3CL001 LOW WATER
  - 5CP001 AIR SUPP PRESS

- Fluids**
- Cooling Water
  - Make-up Water
  - Condensate / Feed Water
  - Raw Water
  - Waste Water / Sludge
  - Saturated Steam
  - Superheated Steam
  - Air
  - Exhaust Gas
  - Fuel Gas
  - Fuel Oil
  - Chemicals