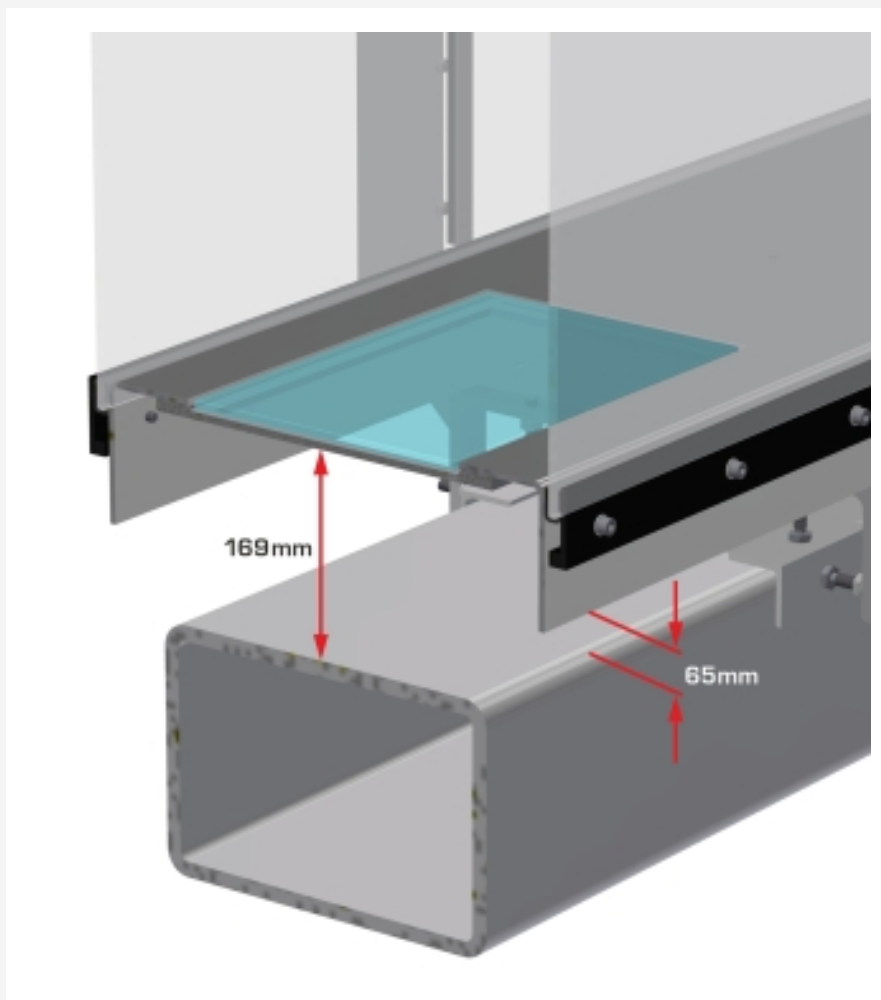


# HM 163.83

## Glass cut-out for PIV system



Installation dimensions for light source or camera below the experimental section

### Specification

- [1] glass pane installed in the bottom of the HM 163 experimental flume
- [2] visualisation of velocity fields together with a PIV system e.g. HM 163.81
- [3] individual geometry (round/rectangular) possible

### Technical data

Glass cut-out for HM 163

- LxW: 220x328mm
- glass thickness: 8mm

Installation dimensions for light source or camera below the experimental section

- height for pass-through: 65mm
- height for mounting: 169mm

LxWxH: 220x328x8mm  
Weight: approx. 2,2kg

### Required for operation

HM 163 Experimental flume and PIV system e.g. HM 163.81

### Scope of delivery

- 1 glass cut-out

### Description

- glass pane installed in the base of the HM 163 experimental flume
- use together with a PIV system e.g. HM 163.81

The HM 163.83 accessory is a glass cut-out for the HM 163 experimental flume and is intended for use with a PIV system, e.g. HM 163.81.

The installation of a glass cut-out in the bottom of the flume makes it possible to position a light source (laser, LED) or a camera below the experimental section. The incidence of light for the illumination of the particles during the PIV measurements is therefore independent of disturbances caused by a moving water surface.

The glass cut-out is located in the middle part of the experimental section and has a rectangular geometry. Different positions, dimensions and geometries of the glass cut-out are possible.

The installed glass pane is part of the HM 163 experimental flume and must be taken into account in the design. A subsequent installation is not possible.

# HM 163.83

## Glass cut-out for PIV system

Required accessories

HM 163	Experimental flume 409x500mm
HM 163.81	PIV-System