

HL 320.08

Fan heater / air heat exchanger



Description

- **trainer for the HL 320 “solar thermal energy and heat pump” modular system**
- **use as a heat source or heat sink**
- **axial fan with two speed settings**

Trainer consisting of a fan convector with piping, quick-release couplings and temperature sensors. The trainer may be used both to heat rooms and to absorb ambient heat from the outside air. It can thus be operated as either a heat sink or a heat source for a heat pump.

In the case of heating rooms, compared to traditional heating radiators, fan heaters offer the possibility of achieving a comparatively good transfer of heat to the room air, even at small dimensions. This advantage makes it possible to operate room heating with lower temperatures in the heating circuit. When combined with a heat pump, the fan heater therefore often represents a beneficial application both economically and in terms of energy, especially when renovating heating systems in old buildings.

When absorbing ambient heat to supply heat to a heat pump, air heat exchangers are often used when there is no access or difficulty accessing other heat sources such as groundwater or geothermal heat collectors. The disadvantage of the energy balance, particularly unfavourable in winter, in this case is contrasted with the advantage of lower initial investment costs.

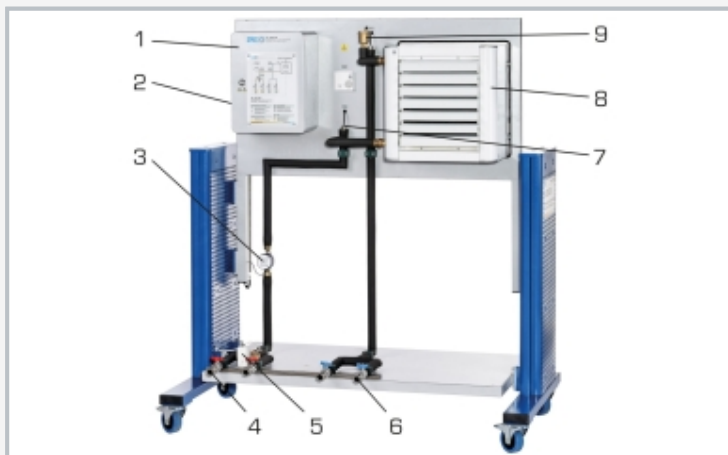
Carefully structured instructional materials have been created for the recommended modular combinations with the HL 320.08 module. As part of the documentation for the HL 320 modular system, these materials set out the basic principles and provide a step-by-step guide through the experiments.

Learning objectives/experiments

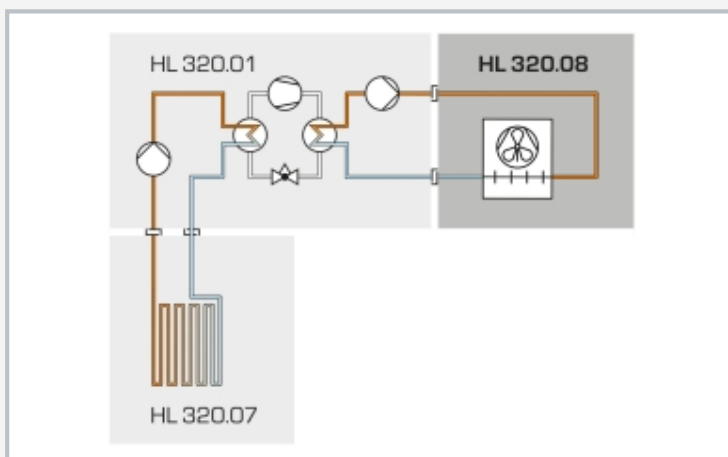
- use of a fan convector for heating and cooling rooms
- how the temperature difference between the heating feed and return affects the overall efficiency of a heating system
- operating conditions when used as an air heat exchanger in a heat pump system
- comparison of an air heat exchanger with other heat sources in a heat pump system

HL 320.08

Fan heater / air heat exchanger



1 junction box, 2 CAN-bus connecting sockets, 3 flow meter, 4 feed flow, 5 3-way mixing valve, 6 return flow, 7 temperature sensor feed flow, 8 fan convector, 9 vent valve



Inclusion of HL 320.08 in one possible configuration of the HL 320 modular system

	1	2	3	4	5
HL 320.01			X	X	X
HL 320.02		X			X
HL 320.03	X	X		X	X
HL 320.04	(X)	(X)		(X)	(X)
HL 320.05	X	X		X	X
HL 320.07		X	X	X	X
HL 320.08			X	X	X

Recommended combinations of the HL 320 modular system

Specification

- [1] fan convector for connection to the HL 320 modular system
- [2] axial fan with two selectable speed settings
- [3] control by means of other controllers in the HL 320 system (CAN bus)
- [4] temperature sensors for feed and return
- [5] quick-release couplings with shut-off valves for connecting the pipes

Technical data

Fan

- speed: 900/1400min⁻¹
- flow rate: 683/1155m³h⁻¹

Heat exchanger

- nominal cooling capacity: 2kW
- max. operating pressure: 10bar

Measuring ranges

- temperature:
 - ▶ 3x -50°C...180°C
- flow rate: 20...2500L/h

230V, 50Hz, 1 phase
 230V, 60Hz, 1 phase
 LxWxH: 1500x 800x1500mm
 Weight: approx. 95kg

Scope of delivery

- 1 trainer
- 1 manual

HL 320.08

Fan heater / air heat exchanger

Required accessories

Combination 3

HL 320.01 Heat pump
 HL 320.07 Underfloor heating / geothermal energy absorber

Combination 4

HL 320.01 Heat pump
 HL 320.03 Flat collector
 HL 320.05 Central storage module with controller
 HL 320.07 Underfloor heating / geothermal energy absorber

Combination 5

HL 320.01 Heat pump
 HL 320.02 Conventional heating
 HL 320.03 Flat collector
 HL 320.05 Central storage module with controller
 HL 320.07 Underfloor heating / geothermal energy absorber

Optional accessories

Combination 4, 5

HL 320.04 Evacuated tube collector
 HL 313.01 Artificial light source