

HL 360

Oil tank safety trainer



Learning objectives/experiments

- oil tank with stipulated outlet, filling and safety devices
- standards, technical rules, legal requirements and regulations for the storage of heating oil
- function of tank protection devices
- filling an oil tank
- drawing oil from a tank

Description

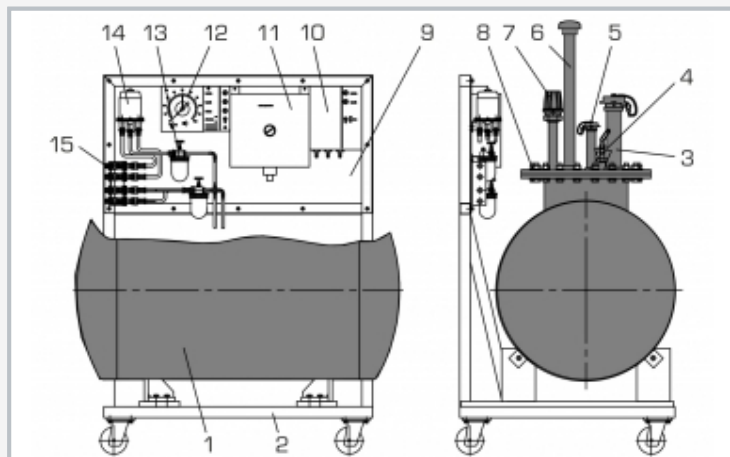
- **trainer on heating oil storage in tanks**
- **double-walled oil tank with internal protective cover**
- **investigation of tank safety devices and their function**

The system is fully functional so it is possible to use it for the supply of oil to laboratory equipment observing the local legal regulations, as well as performing the tests and demonstrations.

The trainer contains all the stipulated safety fittings and tank protection devices. The double-walled oil tank includes filling and outlet devices. Indicators such as a level gauge and a leak detector are fitted to a metal panel.

HL 360

Oil tank safety trainer



1 oil tank, 2 frame, 3 filler pipe with seal, 4 combination fitting, 5 dip stick tube with seal, 6 tank ventilation, 7 overfill protection, 8 dome cover, 9 fittings panel, 10 vacuum leak detector, 11 leak liquid tank, 12 level gauge with liquid leak detector, 13 oil filter, 14 automatic ventilation, 15 oil connections

Specification

- [1] oil tank, complete with all necessary filling, outlet and safety devices
- [2] oil tank according to DIN 6616, double-walled
- [3] pneumatic level gauge
- [4] liquid leak detection system, vacuum leak detection system
- [5] single-strand oil filter, double-strand oil filter
- [6] device for overfill protection
- [7] combination fitting
- [8] filler pipe with seal
- [9] dip stick tube with dip stick and seal
- [10] tank ventilation

Technical data

Oil tank

■ 350L

1 leak detector with tank

1 leak detector

230V, 50Hz, 1 phase

230V, 60Hz, 1 phase; 120V, 60Hz, 1 phase

UL/CSA optional

LxWxH: 1200x800x1600mm

Empty weight: approx. 250kg

Scope of delivery

- 1 trainer
- 1 set of accessories
- 1 manual