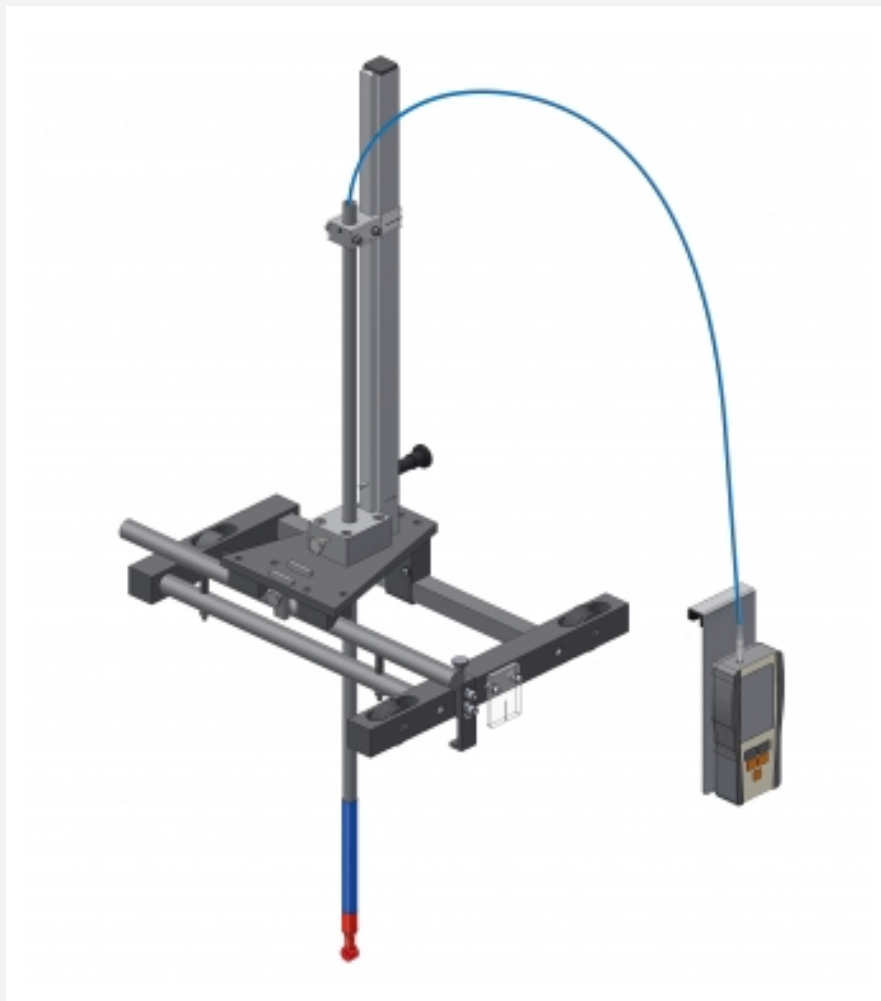


HM 161.64

Velocity meter



The illustration shows a similar velocity meter mounted onto an instrument carrier.

Description

■ determination of discharge velocity

The core element of the velocity meter HM 161.64 is an impeller that is rotated by the flow. The speed of the impeller is proportional to the flow velocity. The flow velocity is read directly from the digital display.

The impeller tube can be moved vertically. A scale indicates the corresponding vertical position of the measurement.

HM 161.64 is mounted on the moveable instrument carrier HM 161.59 so it can be used along the length and width of the experimental section.

Specification

- [1] determination of discharge velocity in the experimental flume HM 161
- [2] used together with HM 161.59
- [3] holder with vertical scale to indicate the position of the impeller
- [4] battery-operated digital display of the flow velocity

Technical data

Scale

- 0...800mm
- graduation: 1mm

Measuring range

- flow velocity: 0,04...5m/s

LxWxH: 150x50x1200mm (holder with impeller)

LxWxH: 70x40x200mm (holder with digital display)

Weight: approx. 4kg

Scope of delivery

- 1 velocity meter
- 1 set of accessories
- 1 manual

HM 161.64

Velocity meter

Required accessories

070.16159 HM 161.59 Instrument carrier