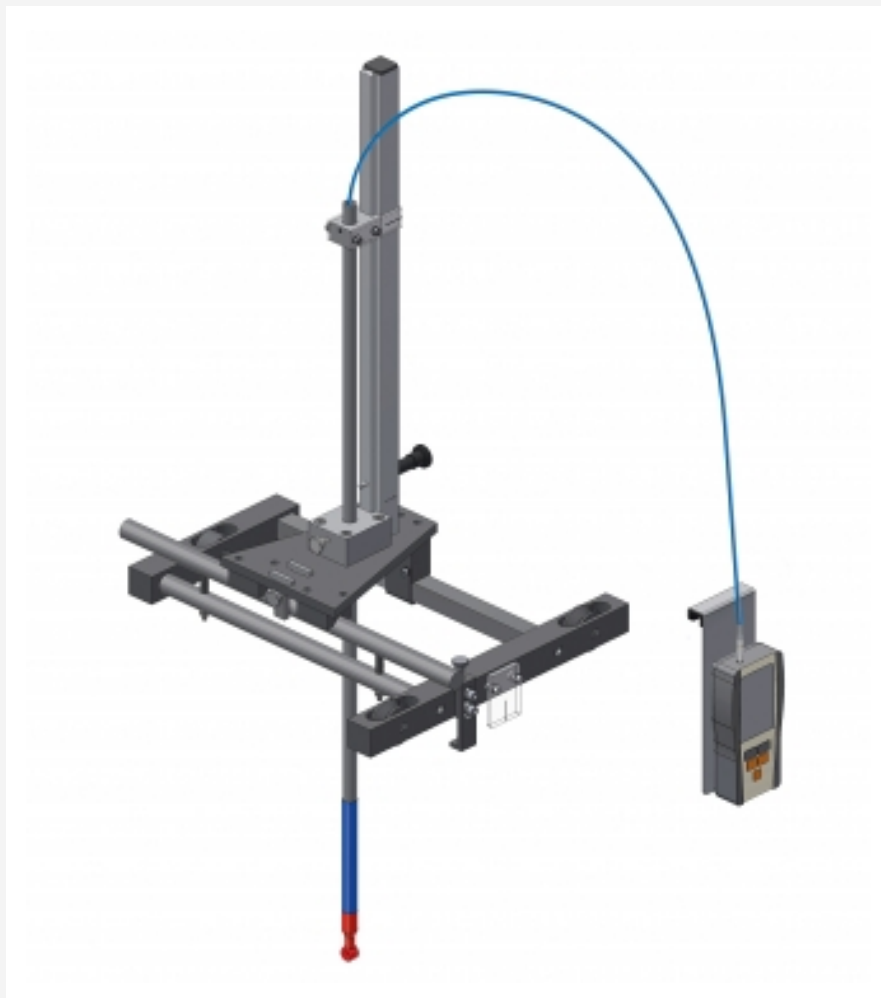


HM 162.64

Velocity meter



The illustration shows HM 161.52 together with the instrument carrier HM 161.59.

Description

■ determination of discharge velocity

The core element of the velocity meter HM 162.64 is an impeller that is rotated by the flow. The speed of the impeller is proportional to the flow velocity. The flow velocity is read directly from the digital display.

The impeller tube can be moved vertically. A scale indicates the corresponding vertical position of the measurement.

HM 162.64 is mounted on the moveable instrument carrier HM 162.59 so it can be used along the length and width of the experimental section.

Specification

- [1] determination of discharge velocity in the experimental flume HM 162
- [2] used together with HM 162.59
- [3] holder with vertical scale to indicate the position of the impeller
- [4] battery-operated digital display of the flow velocity

Technical data

Scale

- 0...450mm
- graduation: 1mm

Measuring ranges

- flow velocity: 0,04...5m/s

LxWxH: 150x50x830mm (holder with impeller)

LxWxH: 70x40x200mm (holder with digital display)

Weight: approx. 3kg

Scope of delivery

- 1 velocity meter
- 1 set of accessories
- 1 manual

HM 162.64

Velocity meter

Required accessories

070.16259 HM 162.59 Instrument carrier