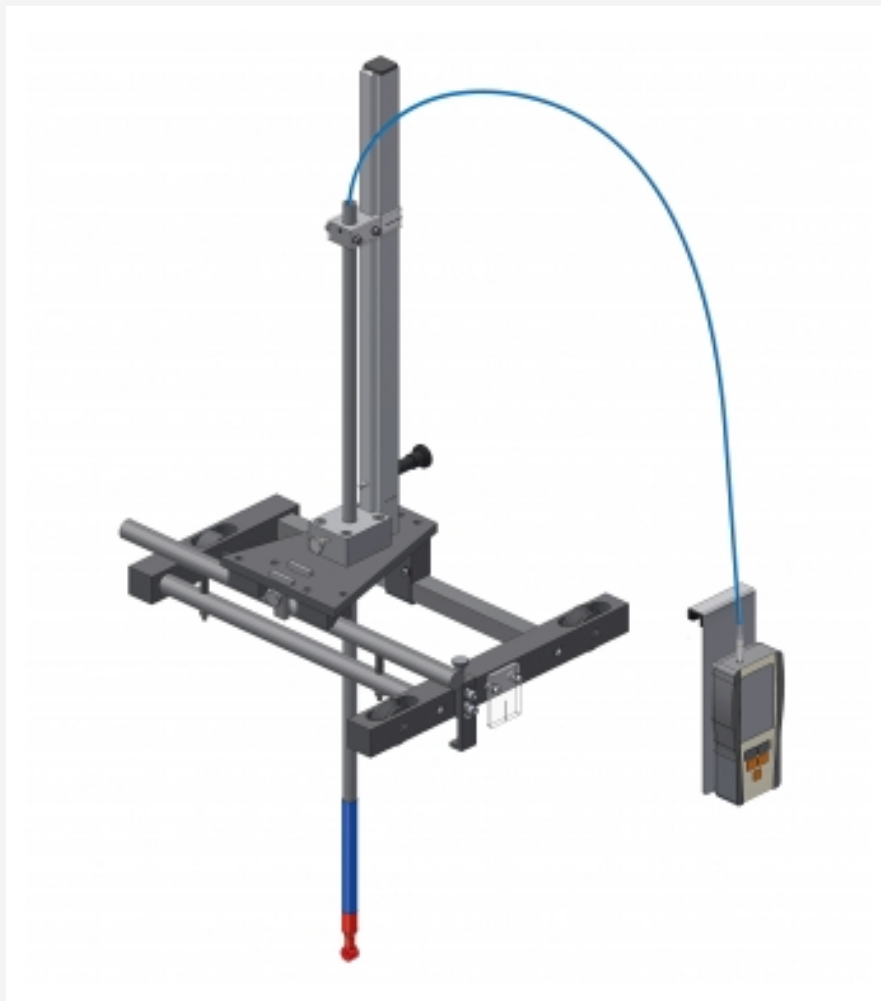


# HM 163.64

## Velocity meter



The illustration shows HM 163.64 together with the instrument carrier HM 163.59.

### Description

#### ■ determination of discharge velocity

The core element of the velocity meter HM 163.64 is an impeller that is rotated by the flow. The speed of the impeller is proportional to the flow velocity. The flow velocity is read directly from the digital display.

The impeller tube can be moved vertically. A scale indicates the corresponding vertical position of the measurement.

HM 163.64 is mounted on the moveable instrument carrier HM 163.59 so it can be used along the length and width of the experimental section.

### Specification

- [1] determination of discharge velocity in the experimental flume HM 163
- [2] used together with HM 163.59
- [3] holder with vertical scale to indicate the position of the impeller
- [4] battery-operated digital display of the flow velocity

### Technical data

#### Scale

- 0...500mm
- graduation: 1mm

#### Measuring ranges

- flow velocity: 0,04...5m/s

LxWxH: 150x50x920mm (holder with impeller)

LxWxH: 70x40x200mm (holder with digital display)

Weight: approx. 4kg

### Scope of delivery

- 1 velocity meter
- 1 set of accessories
- 1 manual

# HM 163.64

## Velocity meter

Required accessories

070.16359      HM 163.59      Instrument carrier