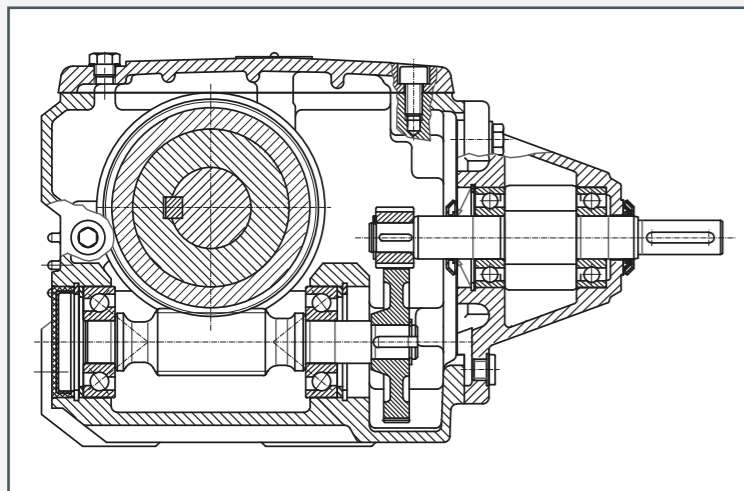


GL 300.01

Cutaway model: worm gear



The technical drawings are part of the instructional material.

Manually operated open samples of various drive components and elements

- view of the details and function of the components
- despite the cut outs the movement functions are completely retained
- operation using a hand crank

These models are fitted to sturdy metal base plates. Lifting handles make the models easier to carry. Technical descriptions and sectional drawings are included so that calculations and design aspects can be used as an educational topic.

GL 300.02Cutaway model:
mitre gear**GL 300.03**Cutaway model:
spur gear**GL 300.04**Cutaway model:
two-stage
spur gear**GL 300.05**Cutaway model:
planetary
gear**GL 300.06**Cutaway model:
variable speed
belt drive**GL 300.07**Cutaway
model:
control gear**GL 300.08**Cutaway model:
multiple-
disk
clutch**GL 300.12**Cutaway model:
pedestal bearing