



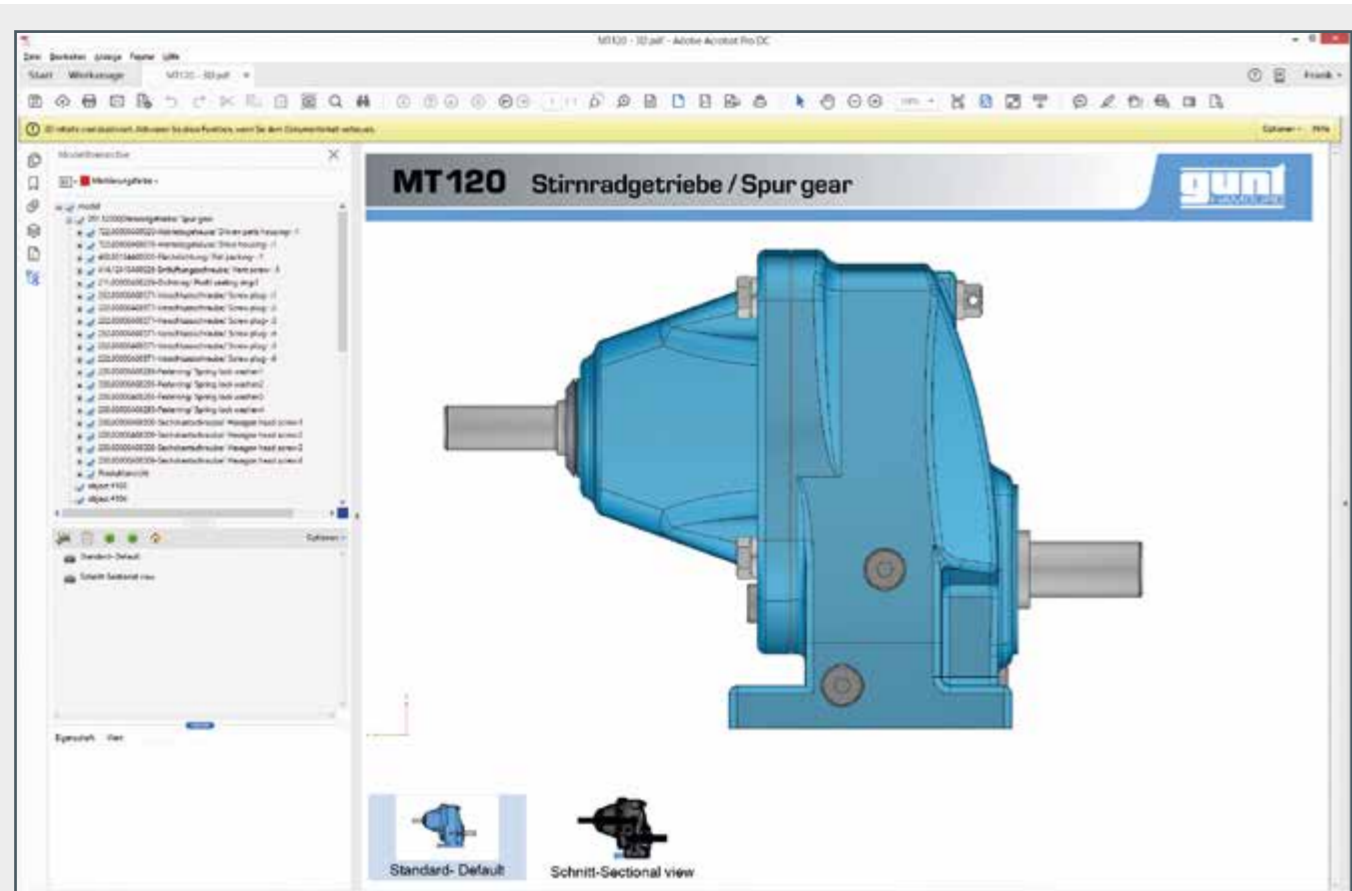
Multimedia instructional materials for GUNT assembly exercises

Interactive 3D PDF

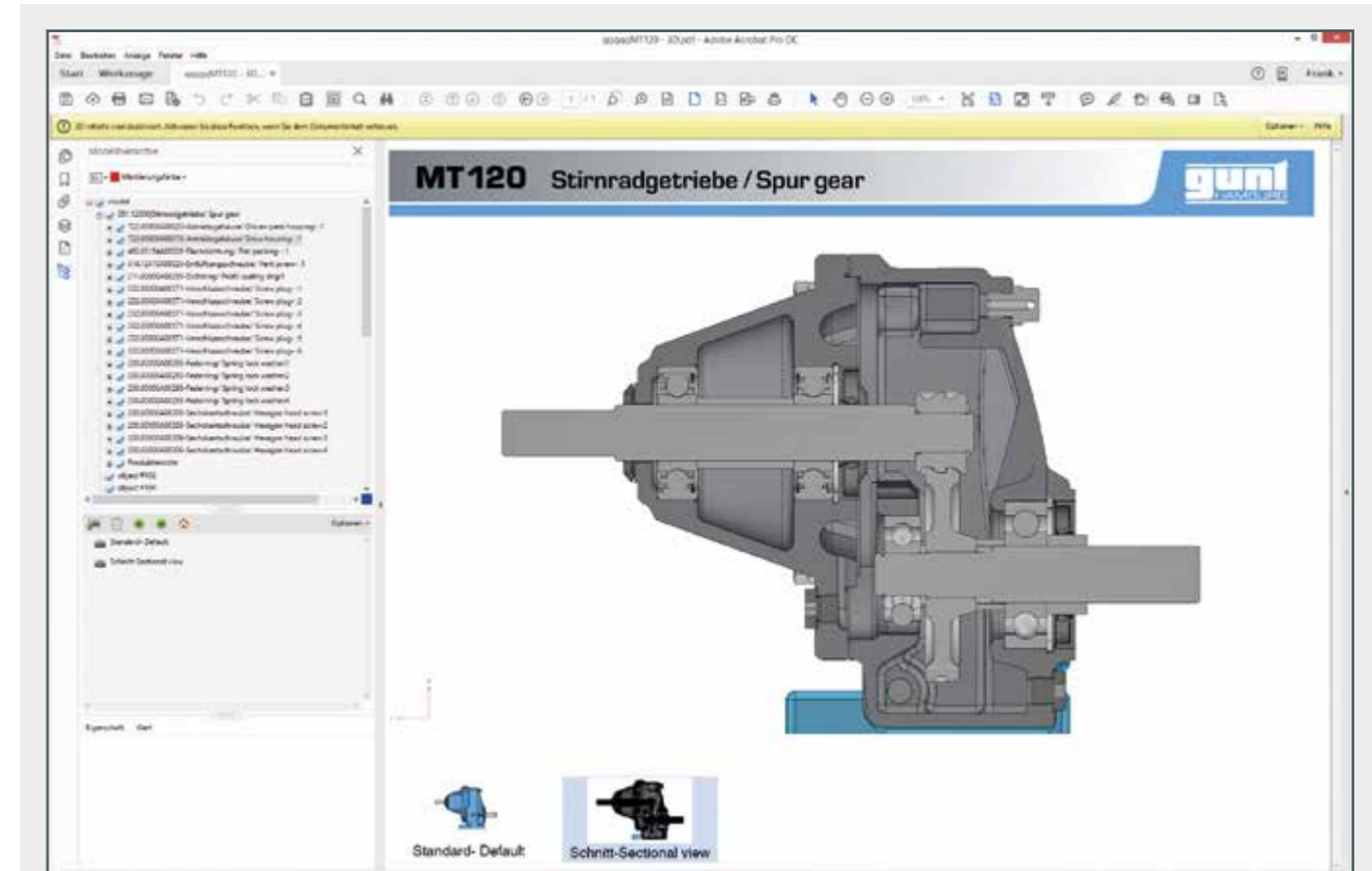
The 3D PDF contains the assembly drawing of the assembly exercise. GUNT has defined two default views that can be opened by clicking on the respective icon: "Standard-Default" and "Schnitt-Sectional view". Many effects are available to take

a closer look at the fully assembled unit or at individual parts, among other things:

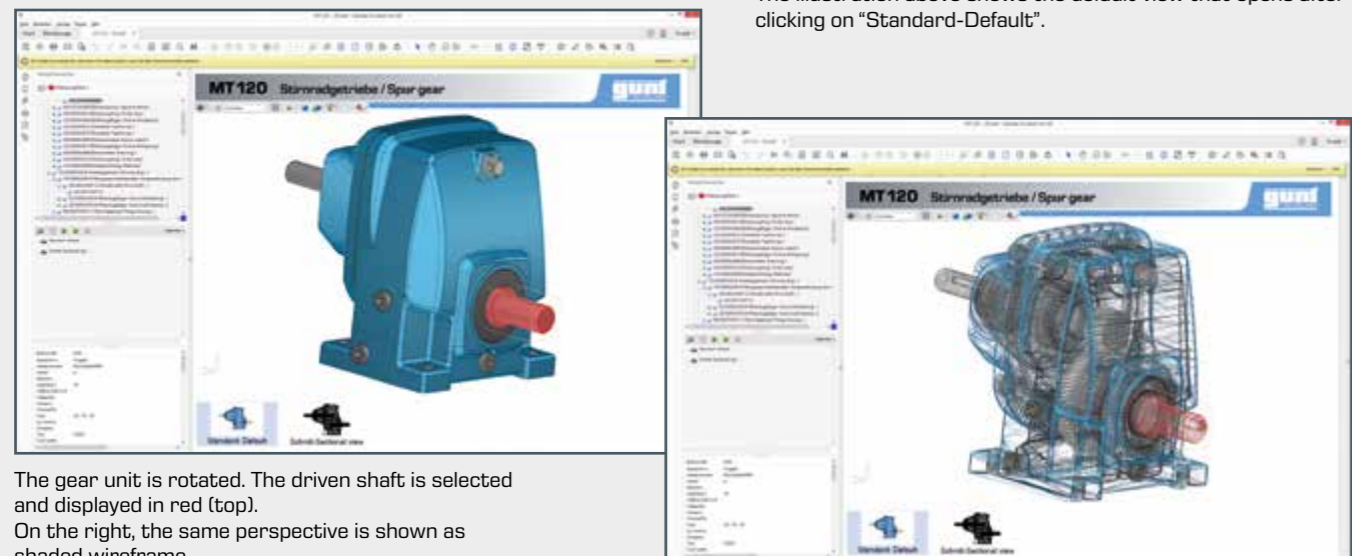
- rotate the entire object to any position
- mark a component: by clicking on the component, it is highlighted in the drawing and in the model tree. The click can be done both in the model tree and in the drawing.
- hide and show components
- representation as wireframe
- transparent representation of the object
- cut through the selected view



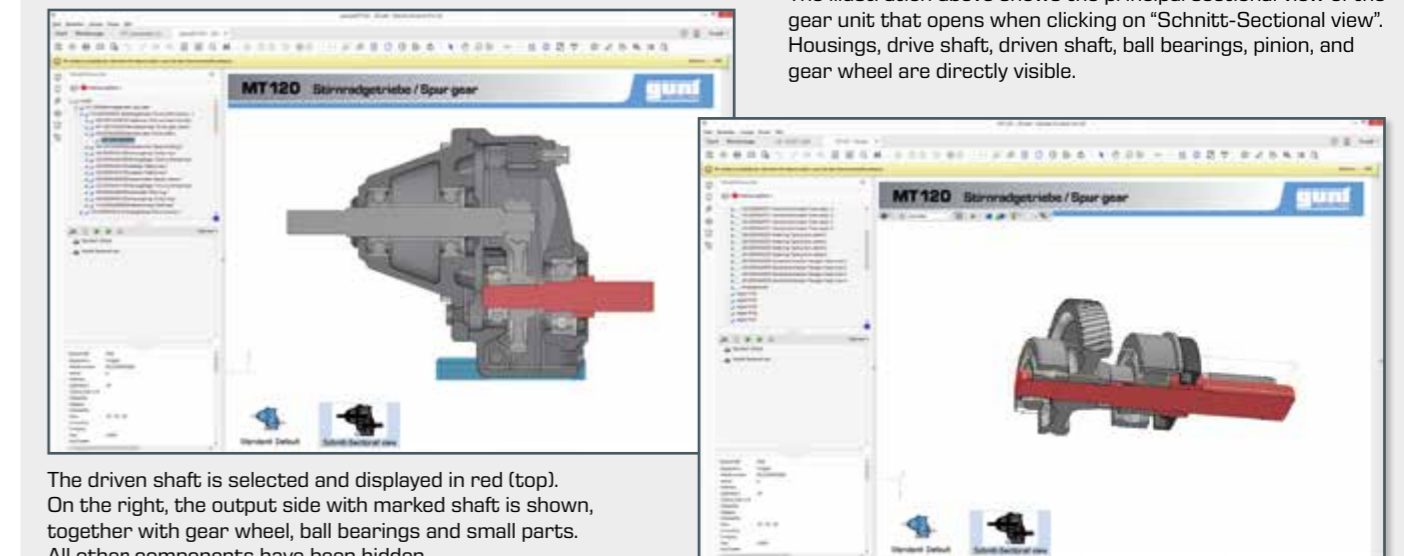
The illustration above shows the default view that opens after clicking on "Standard-Default".



The illustration above shows the principal sectional view of the gear unit that opens when clicking on "Schnitt-Sectional view". Housings, drive shaft, driven shaft, ball bearings, pinion, and gear wheel are directly visible.



The gear unit is rotated. The driven shaft is selected and displayed in red (top). On the right, the same perspective is shown as shaded wireframe.



The driven shaft is selected and displayed in red (top). On the right, the output side with marked shaft is shown, together with gear wheel, ball bearings and small parts. All other components have been hidden.



Multimedia instructional materials for GUNT assembly exercises

Videos

The assembly video shows the assembly step by step, including tools and devices. The individual part to be assembled is described using the displayed list of parts. A short animation at the end of the assembly video shows the assembled unit in action. Another video supports the disassembly.

All component names (parts and tools) are used in the lists of parts, videos, and storage boxes. This makes it easy to identify and find every component.

MT122 Planetengetriebe / Planetary gear

4

1

2

3

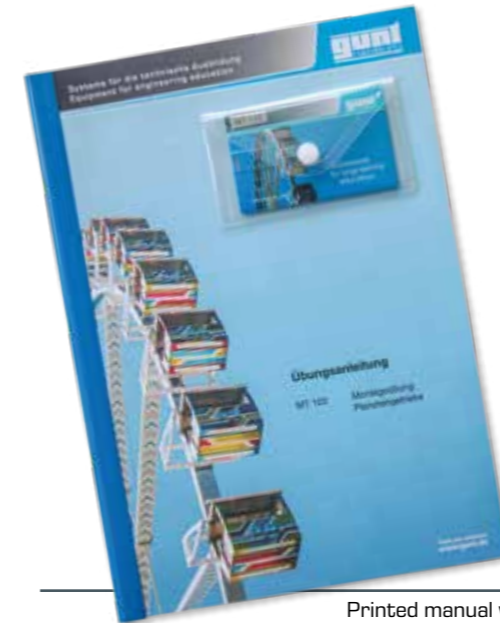
Assembly sequence

- 1 mounting of a ball bearing on a shaft,
- 2 ball bearing on the shaft shoulder,
- 3 mounting of a circlip ring at the ball bearing,
- 4 list of parts

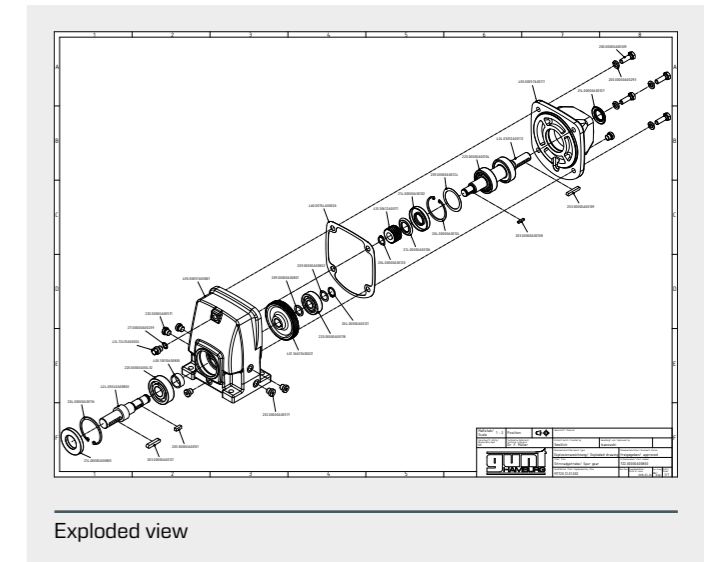
Instructional material

A USB stick is placed on the printed manual. The stick contains the videos, the set of drawings as files with lists of parts, individual part designations, exploded views, assembly drawings

and 3D drawings. The set of drawings consists of CAD files, STEP files and PDF files.



Printed manual with USB stick



Exploded view

Storage

The storage system consists of boxes with labeled foam inlays. All components are stored neatly, carefully, and easily to find (see illustration on the bottom of the left page). The boxes are clearly labeled and stackable.

The optional accessories MT 120.01 Trolley or MT 120.02 Transport roller are available for convenient transport of the kits.



MT 120.02 Transport roller with MT 120



MT 120.01 Trolley with MT 122