

Sustainable technology for environmental protection

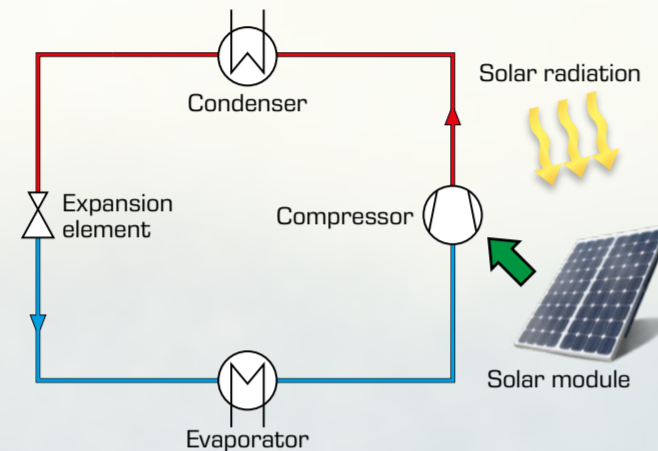
# Using solar energy for cooling

## Photovoltaics

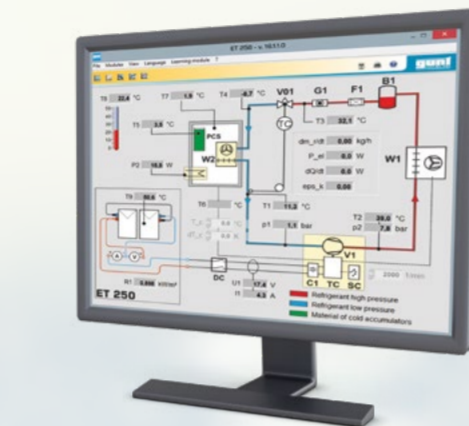
-  **ET 250.01**  
Photovoltaic in grid-connected operation
-  **ET 250.02**  
Stand-alone operation of photovoltaic modules
-  **ET 252**  
Solar cell measurements
-  **ET 255**  
Using photovoltaics: grid-connected or stand-alone

Arrange a qualified demonstration with us.

## ET 256 Cooling with solar electricity

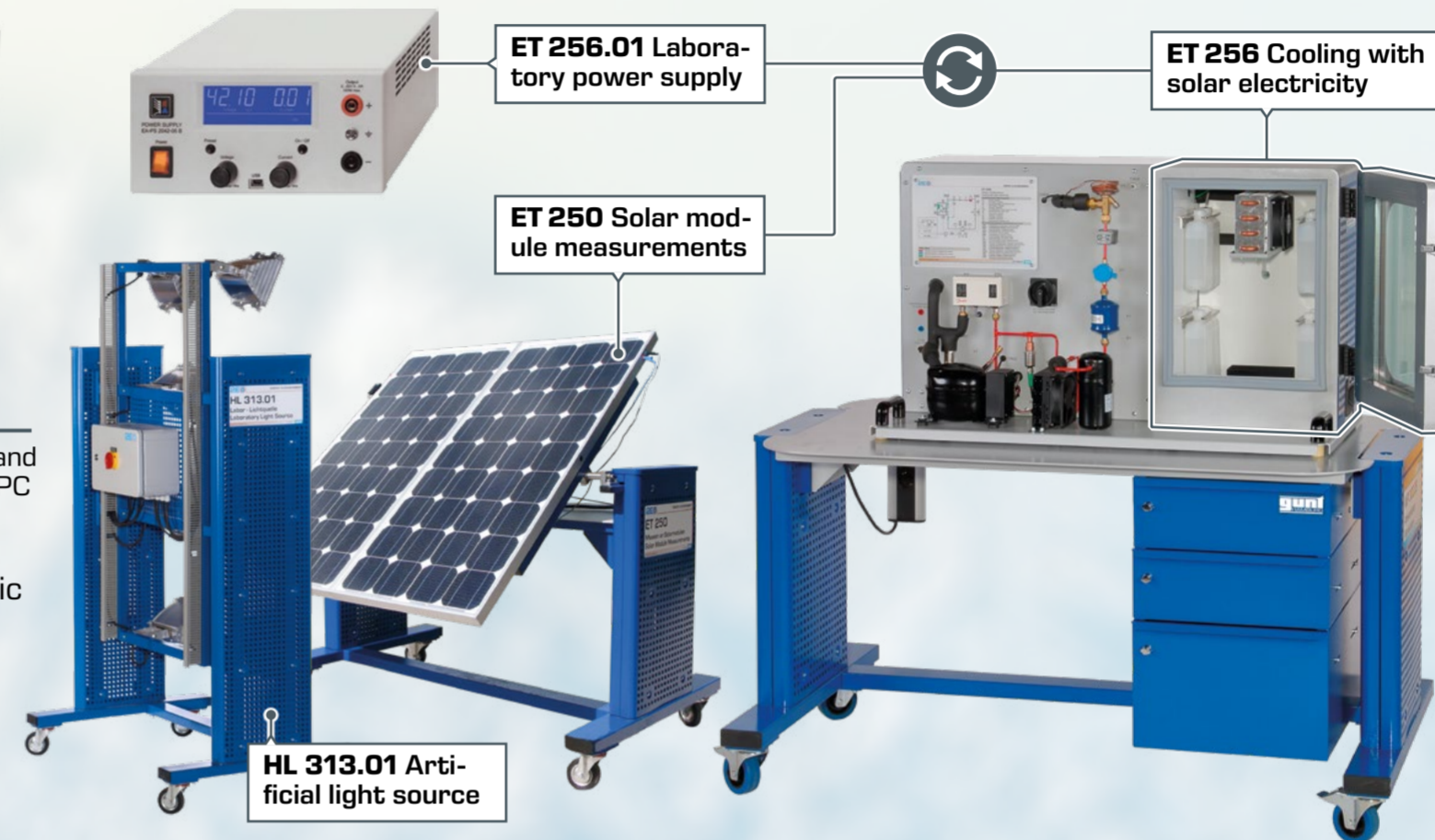


Conversion into electric current, electric process with photovoltaic module

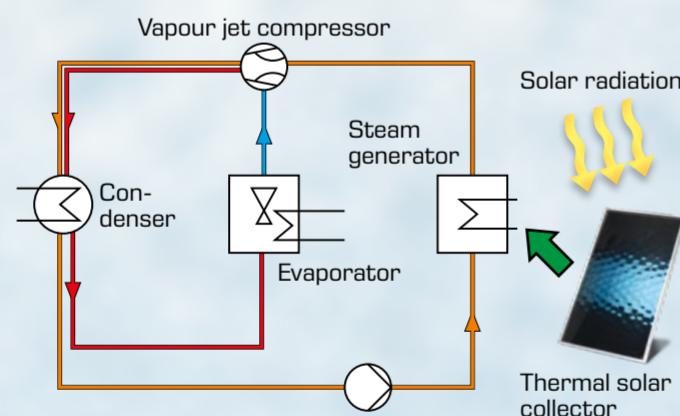


GUNT software for device control and measurement data acquisition via PC

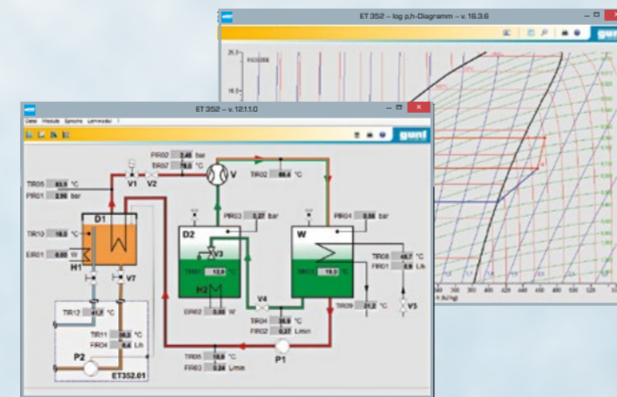
- compression refrigeration system for operation with ET 250 photovoltaic modules or with laboratory power supply ET 256.01
- control unit starts the refrigerant compressor as soon as sufficient electrical power of the solar modules is available
- long cooling time due to cold accumulators and insulation
- software for controlling and balancing energy flows



## ET 352.01 Solar heat for cold production

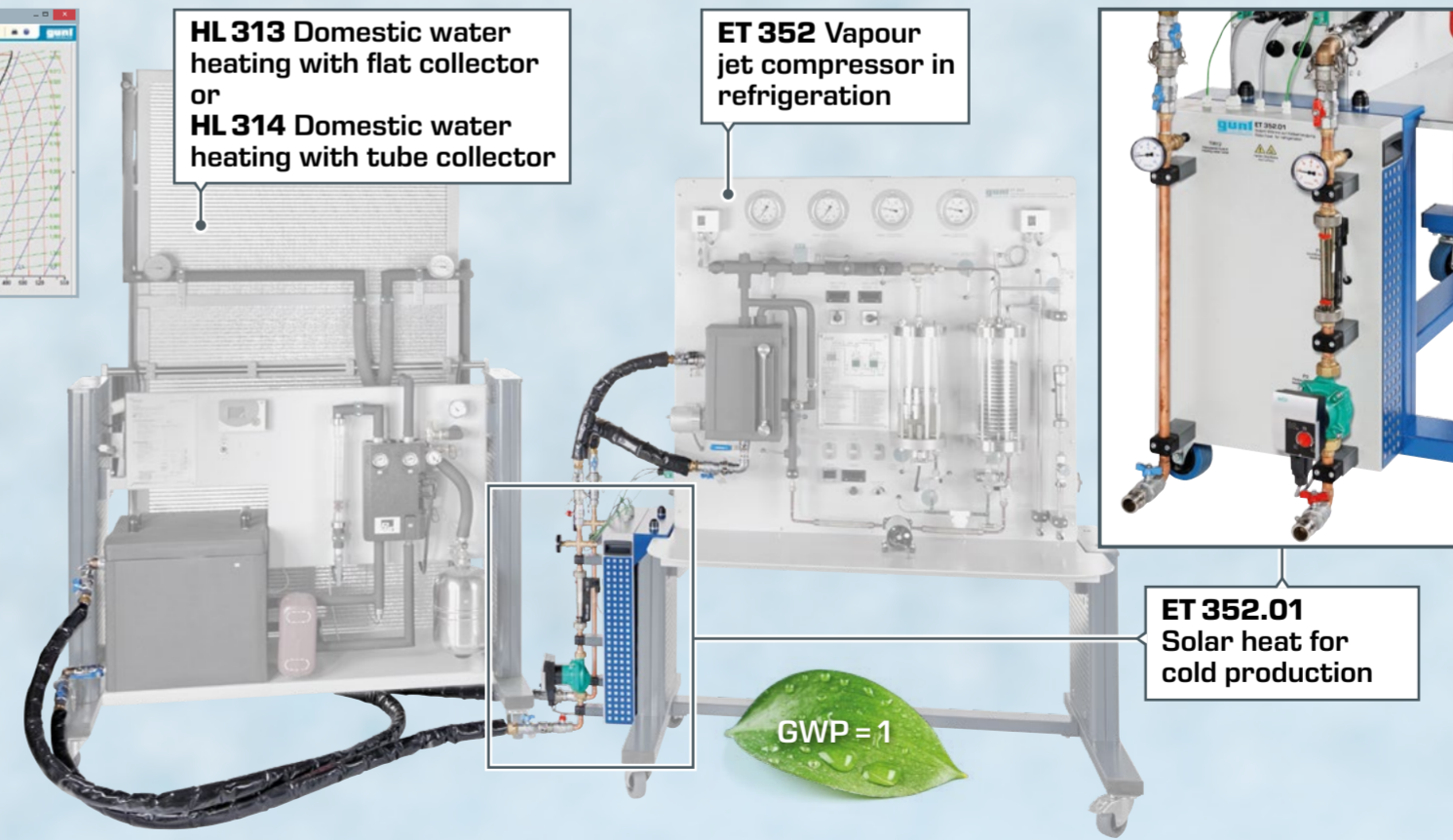


Direct conversion of solar heat into cold in the vapour jet refrigeration process



GUNT software for device control and measurement data acquisition via PC

- components of solar refrigeration systems based on the vapour jet method
- operation of a vapour jet compressor on a solar thermal collector
- advanced concepts for the use of solar thermal systems
- energy management for solar thermal cooling systems



## Solar thermal energy

-  **ET 202**  
Principles of solar thermal energy
-  **WL 377**  
Convection and radiation
-  **HL 314**  
Domestic water heating with tube collector
-  **HL 320.03**  
Flat collector
-  **HL 320.04**  
Evacuated tube collector
-  **HL 320.05**  
Central storage module with controller



Visit our website [www.gunt.de](http://www.gunt.de)